

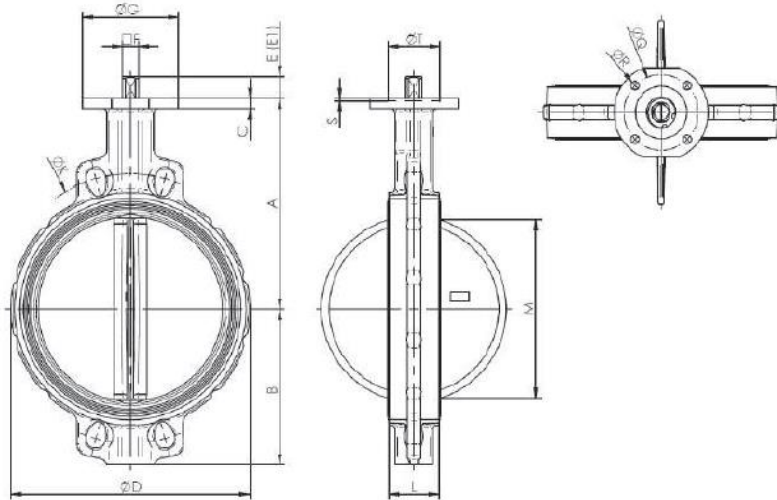
WEY BUTTERFLY VALVES TW20 FREE SHAFT



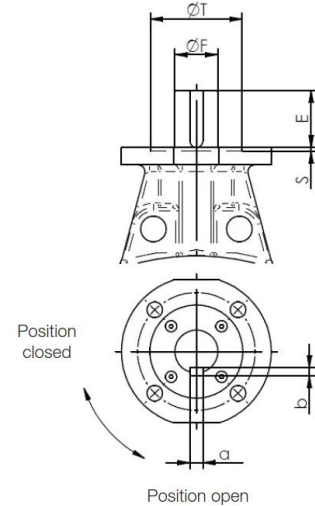
Dimensions

9.1.10

DN 25 – 500



DN 600 - 1200

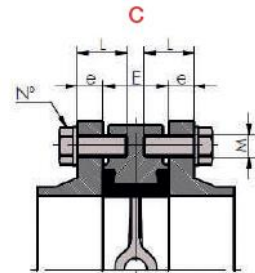
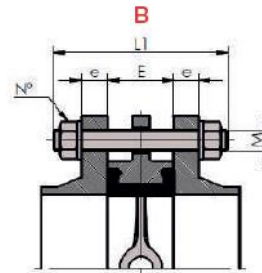
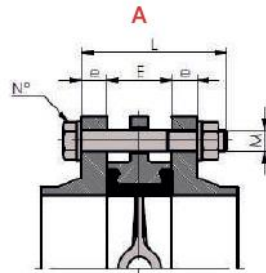
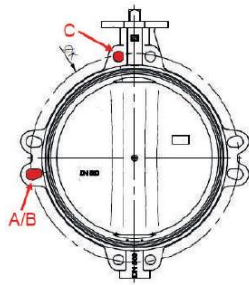


General dimensions

Top flange ISO 5211

| DN [mm] | A | B | C | D | E | F | G | K | | | L | M | Kg | Top flange ISO 5211 | | | | | | |
|---------|-----|-----|-----|----|------|-----|----|------|------|--------------|--------|-----|------|---------------------|------|-----|------|---|-----|-------|
| | | | | | | | | PN10 | PN16 | ANSI cl. 150 | | | | ISO | øQ | øR | S | T | axb | |
| 25 | 1" | 103 | 60 | 8 | 68 | 30 | 11 | 90 | 85 | 85 | 79.4 | 33 | 14 | 1.5 | F-07 | 70 | 4x9 | | | |
| 32 | 1¼" | 103 | 60 | 8 | 68 | 30 | 11 | 90 | 100 | 100 | 88.9 | 33 | 14 | 1.5 | F-07 | 70 | 4x9 | | | |
| 40 | 1½" | 110 | 56 | 10 | 76 | 30 | 11 | 90 | 110 | 110 | 98.4 | 33 | 26 | 1.6 | F-07 | 70 | 4x9 | | | |
| 50 | 2" | 120 | 61 | 10 | 100 | 30 | 11 | 90 | 125 | 125 | 120.6 | 43 | 29 | 2.4 | F-07 | 70 | 4x9 | | | |
| 65 | 2½" | 135 | 69 | 10 | 108 | 30 | 11 | 90 | 145 | 145 | 139.7 | 46 | 46 | 2.7 | F-07 | 70 | 4x9 | | | |
| 80 | 3" | 141 | 94 | 10 | 124 | 30 | 11 | 90 | 160 | 160 | 152.4 | 46 | 65 | 3.2 | F-07 | 70 | 4x9 | | | |
| 100 | 4" | 165 | 106 | 10 | 147 | 30 | 11 | 90 | 180 | 180 | 190.5 | 52 | 90 | 4 | F-07 | 70 | 4x9 | | | |
| 125 | 5" | 180 | 126 | 12 | 180 | 33 | 14 | 90 | 210 | 210 | 215.9 | 56 | 112 | 6.2 | F-07 | 70 | 4x9 | | | |
| 150 | 6" | 193 | 133 | 12 | 206 | 33 | 14 | 90 | 240 | 240 | 241.3 | 56 | 139 | 7.3 | F-07 | 70 | 4x9 | | | |
| 200 | 8" | 225 | 170 | 12 | 257 | 33 | 17 | 90 | 295 | 295 | 298.5 | 60 | 191 | 11 | F-07 | 70 | 4x9 | | | |
| 250 | 10" | 283 | 210 | 14 | 324 | 30 | 22 | 130 | 350 | 355 | 361.9 | 68 | 241 | 20 | F-10 | 102 | 4x12 | 3 | 70 | |
| 300 | 12" | 308 | 240 | 14 | 376 | 30 | 22 | 130 | 400 | 410 | 431.8 | 78 | 290 | 30 | F-10 | 102 | 4x12 | 3 | 70 | |
| 350 | 14" | 339 | 263 | 16 | 422 | 31 | 22 | 160 | 460 | 470 | 476.2 | 78 | 338 | 35 | F-10 | 102 | 4x12 | 3 | 70 | |
| 400 | 16" | 380 | 308 | 18 | 480 | 31 | 27 | 160 | 515 | 525 | 539.7 | 102 | 387 | 56 | F-12 | 125 | 4x14 | 4 | 85 | |
| 450 | 18" | 381 | 340 | 20 | 536 | 38 | 36 | 190 | 565 | 585 | 577.8 | 114 | 434 | 80 | F-14 | 140 | 4x18 | 4 | 100 | |
| 500 | 20" | 433 | 380 | 20 | 593 | 38 | 36 | 210 | 620 | 650 | 635 | 127 | 478 | 114 | F-14 | 140 | 4x18 | 4 | 100 | |
| 600 | 24" | 494 | 440 | 24 | 690 | 48 | 46 | 210 | 725 | 770 | 749.3 | 154 | 570 | 171 | F-16 | 165 | 4x22 | 5 | 130 | 18x11 |
| 700 | 28" | 560 | 485 | 25 | 780 | 73 | 46 | 300 | 840 | 840 | 863.5 | 165 | 660 | 228 | F-25 | 254 | 8x18 | 5 | 200 | 18x11 |
| 750 | 30" | 590 | 530 | 25 | 836 | 82 | 55 | 300 | 900 | 900 | 914.4 | 190 | 705 | 295 | F-25 | 254 | 8x18 | 5 | 200 | 22x14 |
| 800 | 32" | 630 | 565 | 27 | 902 | 82 | 55 | 300 | 950 | 950 | 978 | 190 | 763 | 347 | F-25 | 254 | 8x18 | 5 | 200 | 22x14 |
| 900 | 36" | 695 | 610 | 32 | 1010 | 110 | 72 | 350 | 1050 | 1050 | 1086 | 203 | 866 | 459 | F-25 | 254 | 8x18 | 5 | 200 | 22x14 |
| 1000 | 40" | 770 | 675 | 32 | 1116 | 110 | 72 | 350 | 1160 | 1170 | 1200 | 216 | 966 | 581 | F-25 | 254 | 8x18 | 5 | 200 | 22x14 |
| 1100 | 44" | 815 | 733 | 32 | 1215 | 110 | 72 | 350 | 1270 | 1270 | 1314.5 | 216 | 1054 | 716 | F-25 | 254 | 8x18 | 5 | 200 | 22x14 |
| 1200 | 48" | 875 | 818 | 40 | 1334 | 110 | 98 | 350 | 1380 | 1390 | 1422 | 254 | 1153 | 963 | F-30 | 298 | 8x23 | 5 | 230 | 28x16 |

TW20 Wafer



Variant screws

Variant threaded bolts

Additional 4 screws on both sides for the centring holes at DN 450 and DN 700-1200

| DN [mm] | E | PN10 | | | | | | | PN16 | | | | | | | ANSI cl. 150 | | | | | | |
|---------|--------|------|------|----|-----|-----|-----|------|------|-----|-----|-----|--------|------|--------|--------------|--------|-----|-----|-----|-----|----|
| | | K | E | M | L | L1 | N° | K | E | M | L | L1 | N° | K | E | M | L | L1 | N° | | | |
| 25 | 1" | 33 | 85 | 16 | M12 | 90 | 110 | 4 | 85 | 16 | M12 | 90 | 110 | 4 | 79.4 | 14.3 | 1/2" | M14 | 85 | 105 | 4 | |
| 32 | 1 1/4" | 33 | 100 | 16 | M16 | 90 | 110 | 4 | 100 | 16 | M16 | 90 | 110 | 4 | 88.9 | 17.5 | 1/2" | M14 | 90 | 110 | 4 | |
| 40 | 1 1/2" | 33 | 110 | 16 | M16 | 90 | 110 | 4 | 110 | 16 | M16 | 90 | 110 | 4 | 98.4 | 17.5 | 1/2" | M14 | 90 | 110 | 4 | |
| 50 | 2" | 43 | 125 | 18 | M16 | 100 | 120 | 4 | 125 | 18 | M16 | 100 | 120 | 4 | 120.6 | 19 | 5/8" | M16 | 100 | 120 | 4 | |
| 65 | 2 1/2" | 46 | 145 | 18 | M16 | 100 | 120 | 4 | 145 | 18 | M16 | 100 | 120 | 4 | 139.7 | 22.2 | 5/8" | M16 | 110 | 130 | 4 | |
| 65 | | | | | | | | 8 | | | | | | 8 | | | | | | | | |
| 80 | 3" | 46 | 160 | 20 | M16 | 110 | 130 | 8 | 160 | 20 | M16 | 110 | 130 | 8 | 152.4 | 23.8 | 5/8" | M16 | 110 | 130 | 4 | |
| 100 | 4" | 52 | 180 | 20 | M16 | 110 | 130 | 8 | 180 | 20 | M16 | 110 | 130 | 8 | 190.5 | 23.8 | 5/8" | M16 | 120 | 140 | 8 | |
| 125 | 5" | 56 | 210 | 22 | M16 | 120 | 140 | 8 | 210 | 22 | M16 | 120 | 140 | 8 | 215.9 | 23.8 | 3/4" | M20 | 130 | 150 | 8 | |
| 150 | 6" | 56 | 240 | 22 | M20 | 130 | 150 | 8 | 240 | 22 | M20 | 130 | 150 | 8 | 241.3 | 25.4 | 3/4" | M20 | 130 | 150 | 8 | |
| 200 | 8" | 60 | 295 | 24 | M20 | 130 | 160 | 8 | 295 | 24 | M20 | 130 | 160 | 12 | 298.5 | 28.6 | 3/4" | M20 | 140 | 160 | 8 | |
| 250 | 10" | 68 | 350 | 26 | M20 | 150 | 170 | 12 | 355 | 26 | M24 | 150 | 170 | 12 | 361.9 | 30.2 | 7/8" | M24 | 160 | 180 | 12 | |
| 300 | 12" | 78 | 400 | 26 | M20 | 160 | 180 | 12 | 410 | 28 | M24 | 160 | 180 | 12 | 431.8 | 31.7 | 7/8" | M24 | 170 | 190 | 12 | |
| 350 | 14" | 78 | 460 | 26 | M20 | 170 | 180 | 16 | 470 | 30 | M24 | 170 | 190 | 16 | 476.2 | 34.9 | 1" | M27 | 180 | 200 | 12 | |
| 400 | 16" | 102 | 515 | 26 | M24 | 180 | 210 | 16 | 525 | 32 | M27 | 200 | 220 | 16 | 539.7 | 36.5 | 1" | M27 | 210 | 230 | 16 | |
| 450 | 18" | 114 | 565 | 26 | M24 | 190 | 220 | 16 | 585 | 32 | M27 | 210 | 240 | 16 | 577.8 | 39.7 | 1.1/8" | M30 | 230 | 250 | 16 | |
| 500 | 20" | 127 | 620 | 28 | M24 | 210 | 230 | 20 | 650 | 34 | M30 | 230 | 260 | 20 | 635 | 46 | 1.1/8" | M30 | 250 | 280 | 16 | |
| 600 | 24" | 154 | 725 | 28 | M27 | 240 | 270 | 20 | 770 | 36 | M33 | 260 | 290 | 20 | 749.3 | 47.6 | 1.1/4" | M33 | 280 | 310 | 20 | |
| 700 | 28" | 165 | 840 | 30 | M27 | 260 | 280 | 20 | 840 | 36 | M33 | 270 | 300 | 20 | 863.5 | 52.5 | 1.1/4" | M33 | 310 | 340 | 24 | |
| 750 | 30" | 190 | 900 | 32 | M27 | 80 | 8 | 840 | 36 | M33 | 85 | 8 | 863.5 | 52.5 | 1.1/4" | M33 | 110 | 8 | 8 | 8 | | |
| 750 | | | | | M30 | | | | | 290 | | | | | | | | | | | 320 | 20 |
| 800 | 32" | 190 | 950 | 32 | M27 | 80 | 8 | 840 | 36 | M33 | 85 | 8 | 863.5 | 52.5 | 1.1/4" | M33 | 110 | 8 | 8 | 8 | | |
| 800 | | | | | M30 | | | | | 290 | | | | | | | | | | | 320 | 20 |
| 900 | 36" | 203 | 1050 | 34 | M27 | 80 | 8 | 1050 | 40 | M33 | 85 | 8 | 1086 | 60 | 1.1/2" | M39 | 110 | 8 | 8 | 8 | | |
| 900 | | | | | M30 | | | | | 310 | | | | | | | | | | | 350 | 24 |
| 1000 | 40" | 216 | 1160 | 34 | M27 | 80 | 8 | 1170 | 42 | M33 | 85 | 8 | 1200 | 63.5 | 1.1/2" | M39 | 120 | 8 | 8 | 8 | | |
| 1000 | | | | | M33 | | | | | 325 | | | | | | | | | | | 360 | 24 |
| 1100 | 44" | 216 | 1270 | 38 | M27 | 80 | 8 | 1270 | 48 | M33 | 85 | 8 | 1314.5 | 101 | 1.1/2" | M39 | 150 | 8 | 8 | 8 | | |
| 1100 | | | | | M33 | | | | | 330 | | | | | | | | | | | 370 | 28 |
| 1200 | 48" | 254 | 1380 | 38 | M27 | 80 | 8 | 1390 | 48 | M45 | 85 | 8 | 1422 | 108 | 1.1/2" | M39 | 165 | 8 | 8 | 8 | | |
| 1200 | | | | | M36 | | | | | 375 | | | | | | | | | | | 420 | 28 |

For butterfly valves designed specifically for ANSI class 150 connection, the threads of the centring holes are machined to UNC (inch threads, dimension «M»).